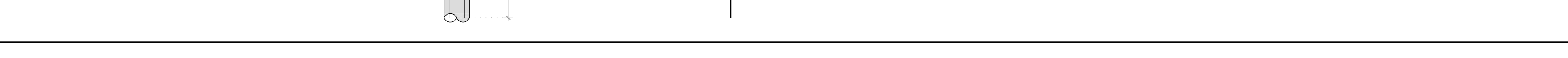
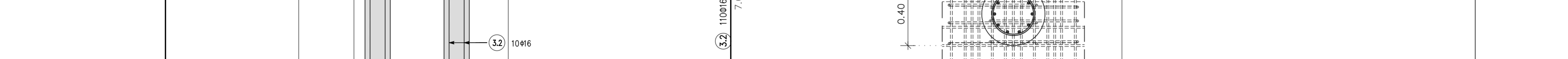
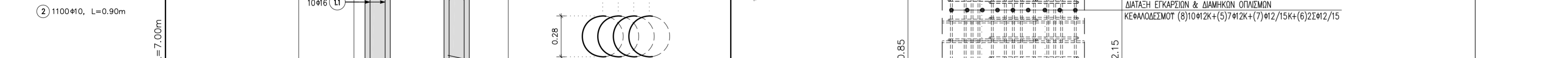
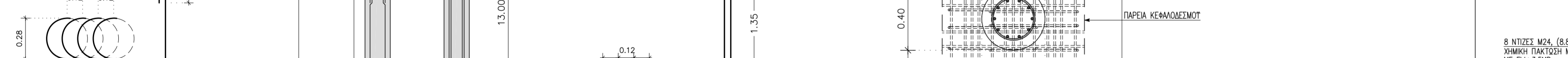
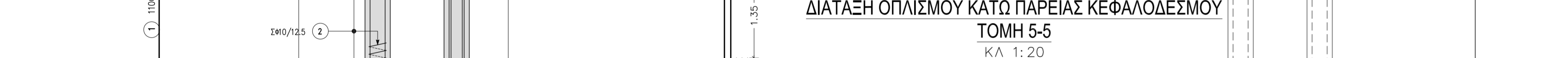
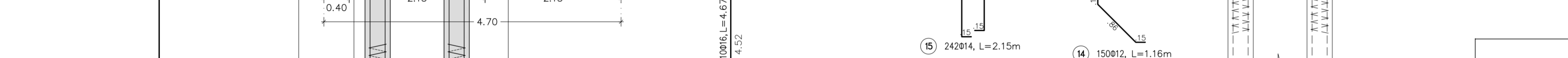
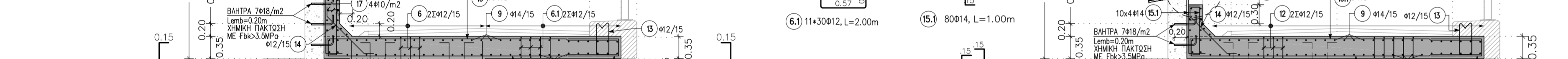
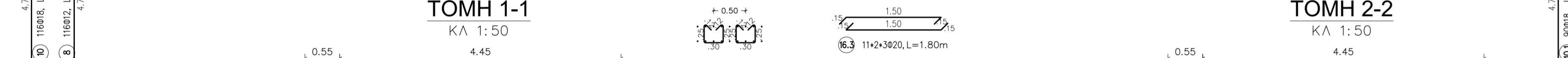
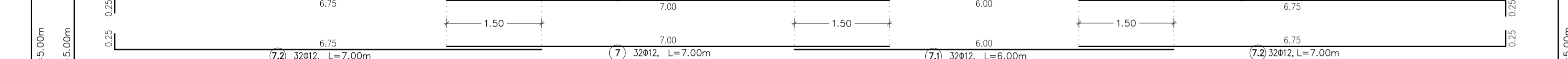
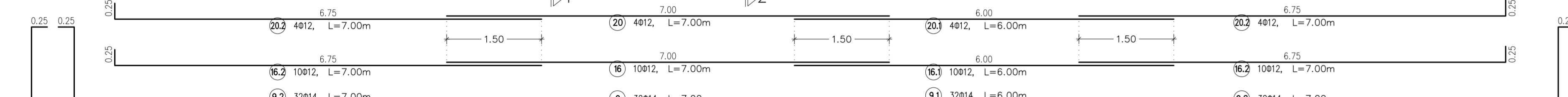
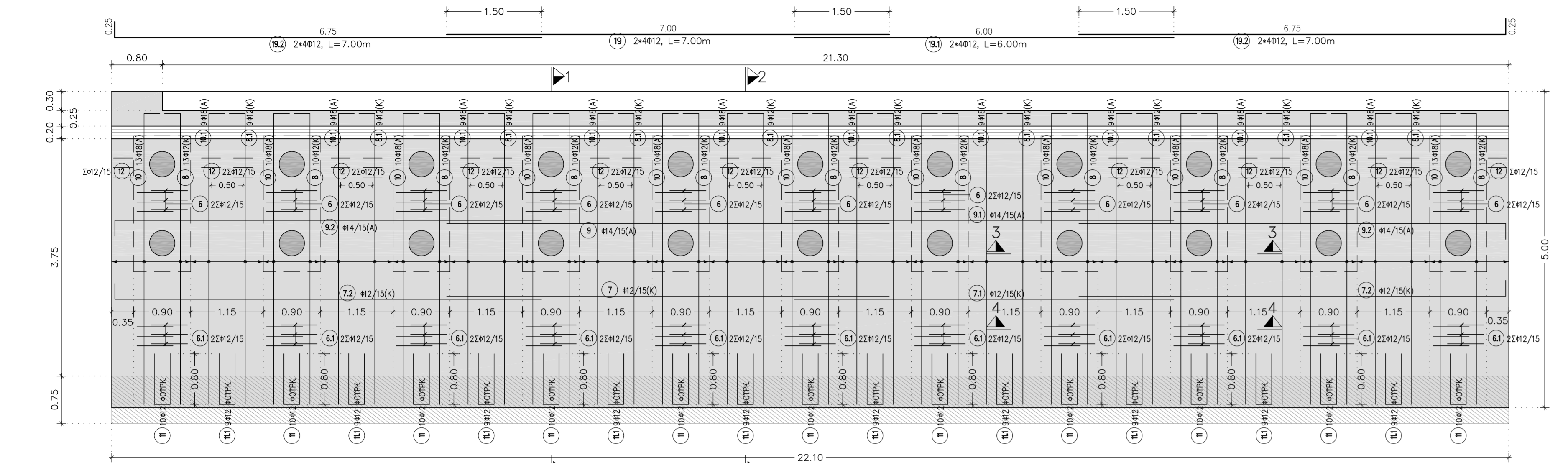
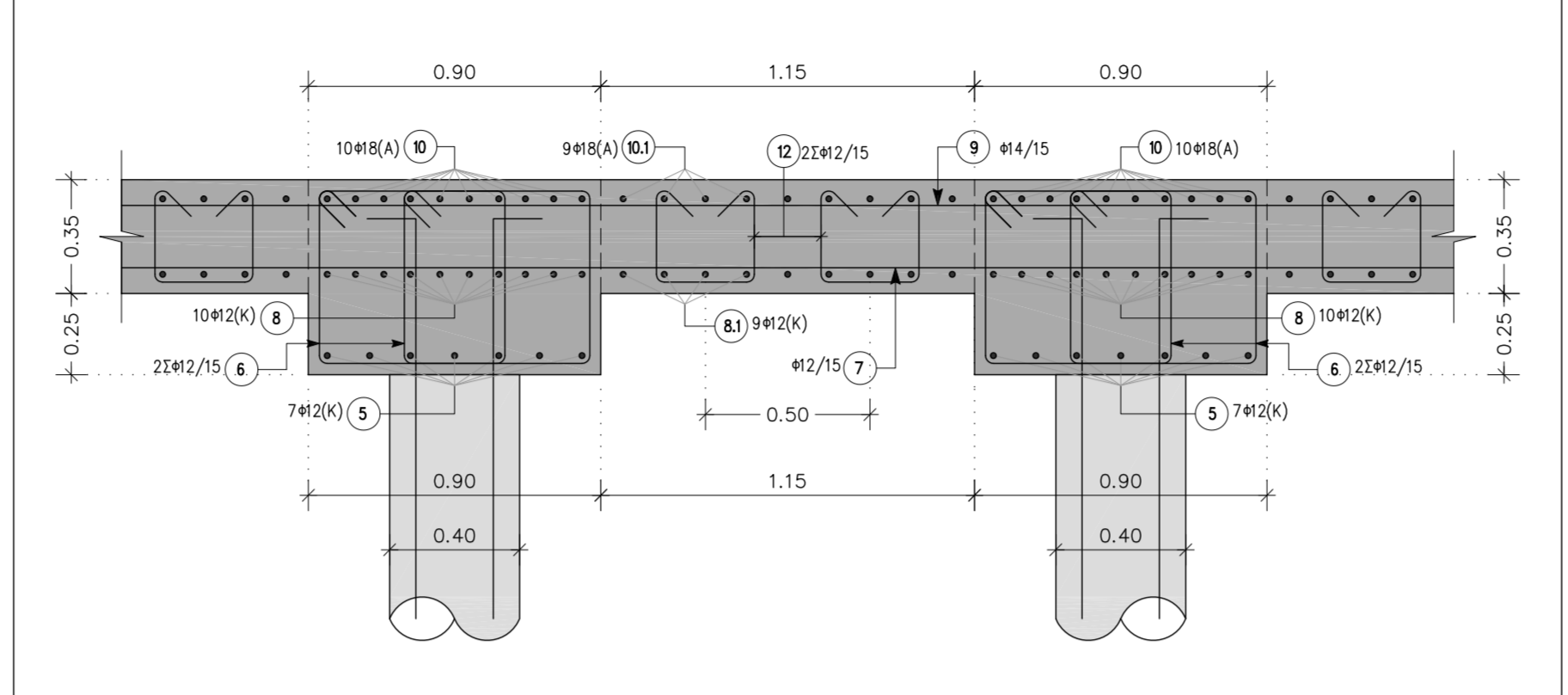


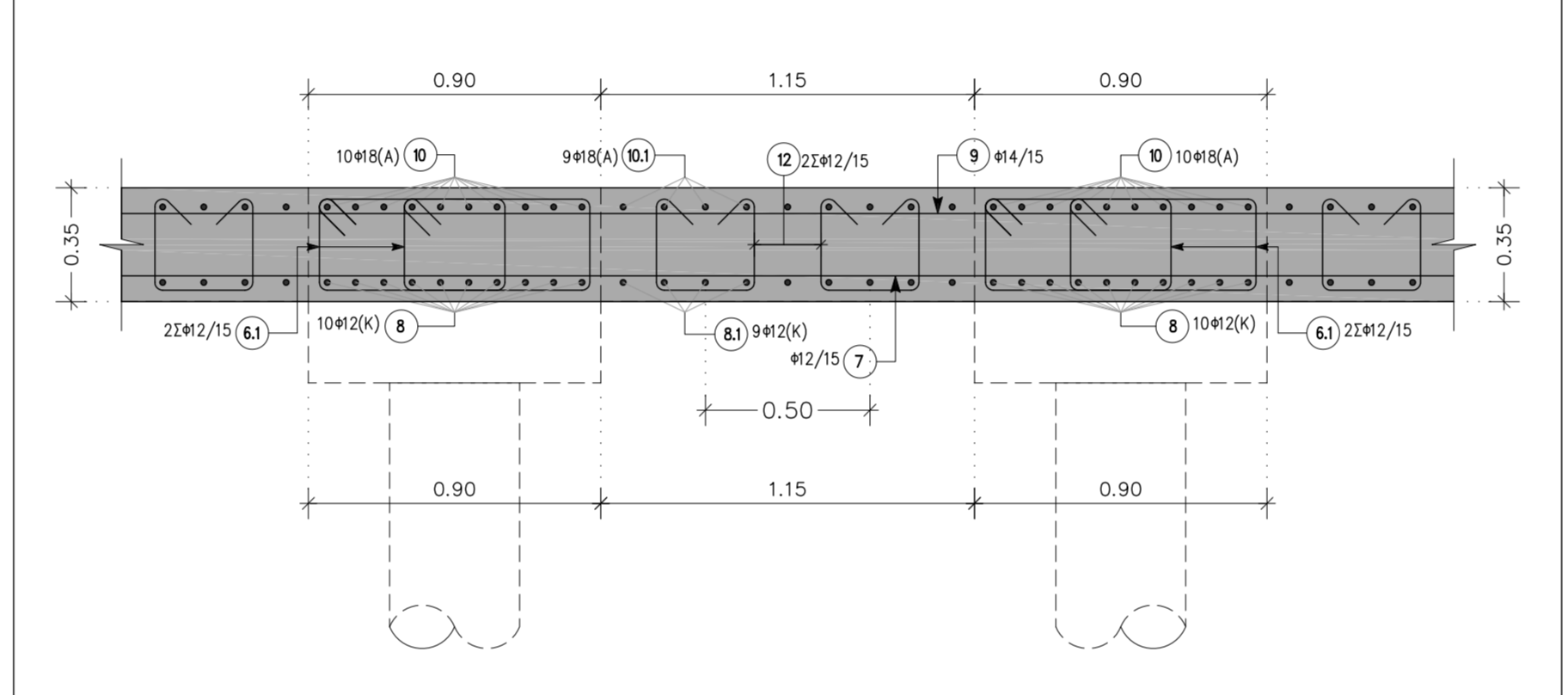
**ΚΑΤΟΨΗ ΚΑΤΑΣΤΡΩΜΑΤΟΣ ΤΕΧΝΙΚΟΥ
ΔΙΑΤΑΞΗ ΟΠΛΙΣΜΟΥ**
ΚΑ 1:50



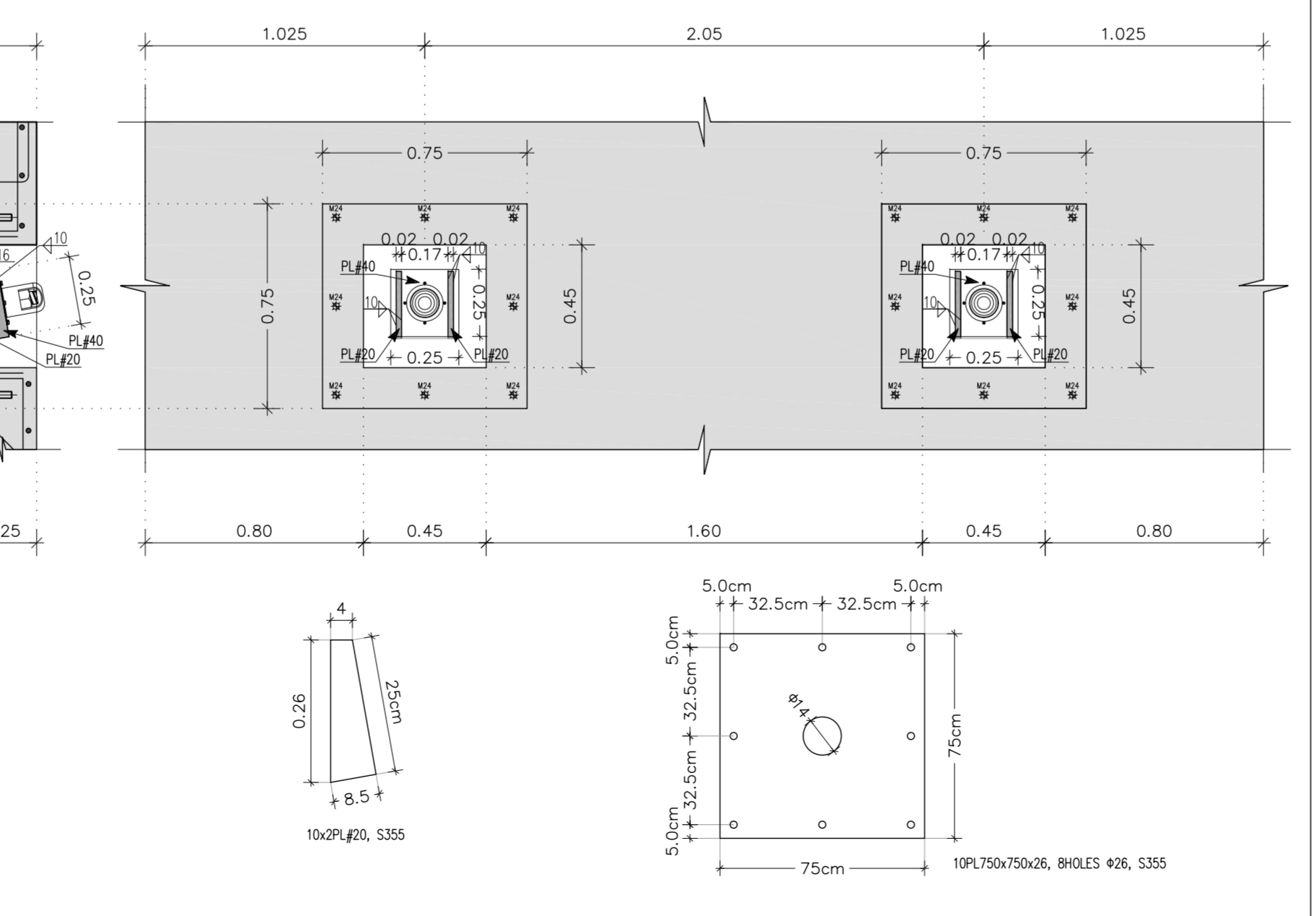
**ΤΟΜΗ 3-3
ΛΕΠΤΟΜΕΡΕΙΑ ΔΙΑΤΑΞΗΣ ΟΠΛΙΣΜΟΥ**
ΚΑ 1:20



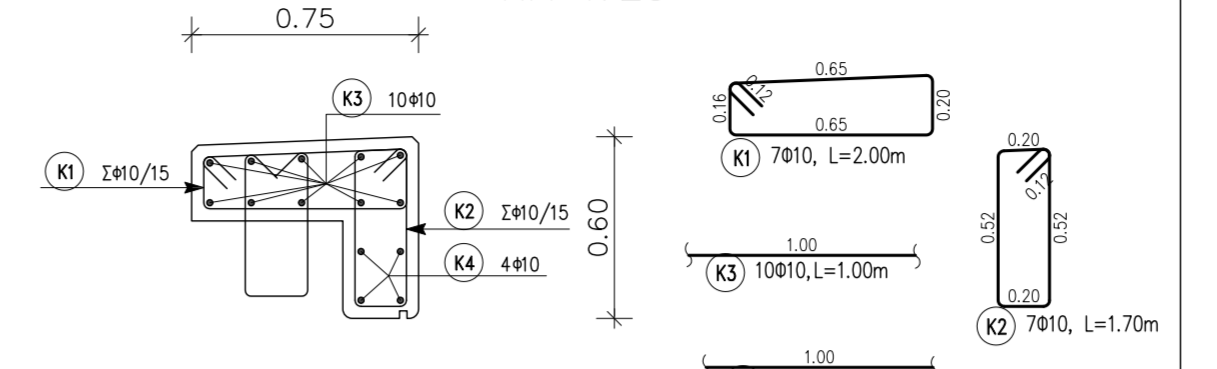
**ΤΟΜΗ 4-4
ΛΕΠΤΟΜΕΡΕΙΑ ΔΙΑΤΑΞΗΣ ΟΠΛΙΣΜΟΥ**
ΚΑ 1:20



ΛΕΠΤΟΜΕΡΕΙΑ 01
ΚΑ 1:20



**ΛΕΠΤΟΜΕΡΕΙΑ ΟΠΛΙΣΗΣ ΚΡΑΣΠΕΔΟΥ
ΤΕΧΝΙΚΟΥ**
ΚΑ 1:25



ΠΙΝΑΚΑΣ ΟΠΛΙΣΜΟΥ

Α/Α	ΣΧΗΜΑ ΡΑΒΔΟΥ ΔΙΑΤΑΞΗΣ ΣΕ CM	Φ (mm)	ΠΛΗΚΟΣ ΤΕΜΑΧΙΩΝ	ΜΗΚΟΣ ΤΕΜΑΧΙΟΥ (m)	ΣΤΥΛΟΣ (m)	ΚΟΡ/Μ	ΒΑΡΟΣ ΣΤΥΛΟΥ (kg)
1	10#16(A)	16	110	7.00	770.00	1.580	1216.60
2	10#16(B)	16	110	7.00	770.00	1.580	1216.60
3	10#16(C)	16	110	4.67	513.70	1.580	811.65
4	10#16(D)	16	110	4.67	513.70	1.580	811.65
5	10#16(E)	16	110	7.00	770.00	1.580	1216.60
6	10#16(F)	16	110	7.00	770.00	1.580	1216.60
7	10#16(G)	16	110	7.00	770.00	1.580	1216.60
8	10#16(H)	16	110	7.00	770.00	1.580	1216.60
9	10#16(I)	16	110	7.00	770.00	1.580	1216.60
10	10#16(J)	16	110	7.00	770.00	1.580	1216.60
11	10#16(K)	16	110	7.00	770.00	1.580	1216.60
12	10#16(L)	16	110	7.00	770.00	1.580	1216.60
13	10#16(M)	16	110	7.00	770.00	1.580	1216.60
14	10#16(N)	16	110	7.00	770.00	1.580	1216.60
15	10#16(O)	16	110	7.00	770.00	1.580	1216.60
16	10#16(P)	16	110	7.00	770.00	1.580	1216.60
17	10#16(Q)	16	110	7.00	770.00	1.580	1216.60
18	10#16(R)	16	110	7.00	770.00	1.580	1216.60
19	10#16(S)	16	110	7.00	770.00	1.580	1216.60
20	10#16(T)	16	110	7.00	770.00	1.580	1216.60
21	10#16(U)	16	110	7.00	770.00	1.580	1216.60
22	10#16(V)	16	110	7.00	770.00	1.580	1216.60
23	10#16(W)	16	110	7.00	770.00	1.580	1216.60
24	10#16(X)	16	110	7.00	770.00	1.580	1216.60
25	10#16(Y)	16	110	7.00	770.00	1.580	1216.60
26	10#16(Z)	16	110	7.00	770.00	1.580	1216.60
27	10#16(AA)	16	110	7.00	770.00	1.580	1216.60
28	10#16(AB)	16	110	7.00	770.00	1.580	1216.60
29	10#16(AC)	16	110	7.00	770.00	1.580	1216.60
30	10#16(AD)	16	110	7.00	770.00	1.580	1216.60
31	10#16(AE)	16	110	7.00	770.00	1.580	1216.60
32	10#16(AF)	16	110	7.00	770.00	1.580	1216.60
33	10#16(AG)	16	110	7.00	770.00	1.580	1216.60
34	10#16(AH)	16	110	7.00	770.00	1.580	1216.60
35	10#16(AI)	16	110	7.00	770.00	1.580	1216.60
36	10#16(AJ)	16	110	7.00	770.00	1.580	1216.60
37	10#16(AK)	16	110	7.00	770.00	1.580	1216.60
38	10#16(AL)	16	110	7.00	770.00	1.580	1216.60
39	10#16(AM)	16	110	7.00	770.00	1.580	1216.60
40	10#16(AN)	16	110	7.00	770.00	1.580	1216.60
41	10#16(AO)	16	110	7.00	770.00	1.580	1216.60
42	10#16(AP)	16	110	7.00	770.00	1.580	1216.60
43	10#16(AQ)	16	110	7.00	770.00	1.580	1216.60
44	10#16(AR)	16	110	7.00	770.00	1.580	1216.60
45	10#16(AS)	16	110	7.00	770.00	1.580	1216.60
46	10#16(AT)	16	110	7.00	770.00	1.580	1216.60
47	10#16(AU)	16	110	7.00	770.00	1.580	1216.60
48	10#16(AV)	16	110	7.00	770.00	1.580	1216.60
49	10#16(AW)	16	110	7.00	770.00	1.580	1216.60
50	10#16(AX)	16	110	7.00	770.00	1.580	1216.60
51	10#16(AY)	16	110	7.00	770.00	1.580	1216.60
52	10#16(AZ)	16	110	7.00	770.00	1.580	1216.60
53	10#16(BA)	16	110	7.00	770.00	1.580	1216.60
54	10#16(BB)	16	110	7.00	770.00	1.580	1216.60
55	10#16(BC)	16	110	7.00	770.00	1.580	1216.60
56	10#16(BD)	16	110	7.00	770.00	1.580	1216.60
57	10#16(BE)	16	110	7.00	770.00	1.580	1216.60
58	10#16(BF)	16	110	7.00	770.00	1.580	1216.60
59	10#16(BG)	16	110	7.00	770.00	1.580	1216.60
60	10#16(BH)	16	110	7.00	770.00	1.580	1216.60
61	10#16(BI)	16	110	7.00	770.00	1.580	1216.60
62	10#16(BJ)	16	110	7.00	770.00	1.580	1216.60
63	10#16(BK)	16	110	7.00	770.00	1.580	1216.60
64	10#16(BL)	16	110	7.00	770.00	1.580	1216.60
65	10#16(BM)	16	110	7.00	770.00	1.580	1216.60
66	10#16(BN)	16	110	7.00	770.00	1.580	1216.60
67	10#16(BO)	16	110	7.00	770.00	1.580	1216.60
68	10#16(BP)	16	110	7.00	770.00	1.580	1216.60
69	10#16(BQ)	16	110	7.00	770.00	1.580	1216.60
70	10#16(BR)	16	110	7.00	770.00	1.580	1216.60
71	10#16(BS)	16	110	7.00	770.00	1.580	1216.60
72	10#16(BT)	16	110	7.00	770.00	1.580	1216.60
73	10#16(BU)	16	110	7.00	770.00	1.580	1216.60
74	10#16(BV)	16	110	7.00	770.00	1.580	1216.60
75	10#16(BW)	16	110	7.00	770.00	1.580	1216.60
76	10#16(BX)	16	110	7.00	770.00	1.580	1216.60
77	10#16(BY)	16	110	7.00	770.00	1.580	1216.60
78	10#16(BZ)	16	110	7.00	770.00	1.580	1216.60
79	10#16(CA)	16	110	7.00	770.00	1.580	1216.60
80	10#16(CB)	16	110	7.00	770.00	1.580	1216.60
81	10#16(CC)	16	110	7.00	770.00	1.580	1216.60
82	10#16(CD)	16	110	7.00	770.00	1.580	1216.60
83	10#16(CE)	16	110	7.00	770.00	1.580	1216.60
84	10#16(CF)	16	110	7.00	770.00	1.580	1216.60
85	10#16(CG)	16	110	7.00	770.00	1.580	1216.60
86	10#16(CH)	16	110	7.00	770.00	1.580	1216.60
87	10#16(CI)	16	110	7.00	770.00	1.580	1216.60
88	10#16(CJ)	16	110	7.00	770.00	1.580	1216.60
89	10#16(CK)	16	110	7.00	770.00	1.580	1216.60
90	10#16(CL)	16	110	7.00	770.00	1.580	1216.60
91	10#16(CM)	16	110	7.00	770.00	1.580	1216.60
92	10#16(CN)	16	110	7.00	770.00	1.580	1216.60
93	10#16(CO)	16	110	7.00	770.00	1.580	1216.60
94	10#16(CP)	16	110	7.00	770.00	1.580	1216.60
95	10#16(CQ)	16	110	7.00	770.00	1.580	1216.60
96	10#16(CR)	16	110	7.00	770.00	1.580	1216.60
97	10#16(CS)	16	110	7.00	770.00	1.580	1216.60
98	10#16(CD)	16	110	7.00	770.00	1.580	1216.60
99	10#16(CE)	16	110	7.00	770.00	1.580	1216.60
100	10#16(CF)	16	110	7.00	770.00	1.580	1216.60

ΠΙΝΑΚΑΣ ΟΠΛΙΣΜΟΥ

Α/Α	ΣΧΗΜΑ ΡΑΒΔΟΥ ΔΙΑΤΑΞΗΣ ΣΕ CM	Φ (mm)	ΠΛΗΚΟΣ ΤΕΜΑΧΙΩΝ	ΜΗΚΟΣ ΤΕΜΑΧΙΟΥ (m)	ΣΤΥΛΟΣ (m)	ΚΟΡ/Μ	ΒΑΡΟΣ ΣΤΥΛΟΥ (kg)
1	10#16(A)	16	110	7.00	770.00	1.580	1216.60
2	10#16(B)	16	110	7.00	770.00	1.580	1216.60
3	10#16(C)	16	110	4.67	513.70	1.580	811.65
4	10#16(D)	16	110	4.67	513.70	1.580	811.65
5	10#16(E)	16	110	7.00	770.00	1.580	1216.60
6	10#16(F)	16	110	7.00	770.00	1.580	1216.60
7	10#16(G)	16	110	7.00	770.00	1.580	1216.60
8	10#16(H)	16	110	7.00	770.00	1.580	1216.60
9	10#16(I)	16	110	7.00	770.00	1.580	1216.60
10	10#16(J)	16	110	7.00	770.00	1.580	1216.60
11	10#16(K)	16	110	7.00	770.00	1.580	1216.60
12	10#16(L)	16	110	7.00	770.00	1.580	1216.60
13	10#16(M)	16	110	7.00	770.00	1.580	1216.60
14	10#16(N)	16	110	7.0			